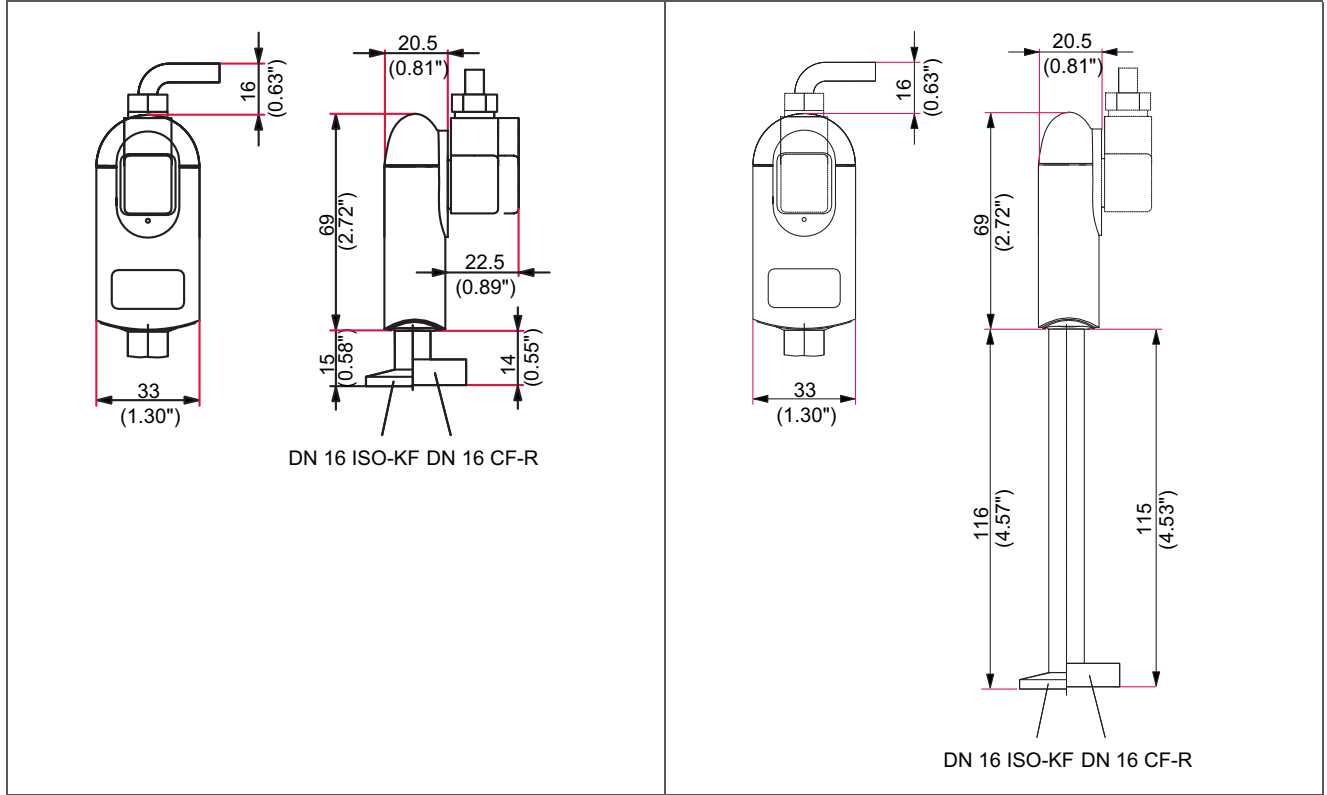


Pirani transmitter TPR (5 · 10⁻⁴ - 1000 hPa)



- Flange size: DN 16 ISO-KF
- Measurement range from 5 · 10⁻⁴ to 1000 hPa
- Compact and rugged
- Fast, stable measurement
- For general vacuum applications
- Maximum pressure refers to inert gases

Dimensions (in mm)



TPR 280, 80 °C

TPR 280, 250 °C

Technical data	TPR 280, 80 °C	TPR 280, 250 °C
Resolution	1 % of reading	1 % of reading
Output signal: Sensor error below	0.5 V	0.5 V
Output signal: Pressure range	2.2 - 8.5 V	2.2 - 8.5 V
Output signal: Minimum load	10 kΩ	10 kΩ
Bakeout temperature	80 °C	250 °C
Seal	Metal	Metal
Pressure max.	1000 kPa	1000 kPa
Feedthrough	Glass	Glass
Feature	Stainless steel, metal sealed	Stainless steel, metal sealed
Flange	Stainless steel	Stainless steel
Accuracy: 10 ⁻³ - 10 ² hPa	± 15 %	± 15 %
Filament	Tungsten	Tungsten
Measurement range max.	1000 hPa	1000 hPa
Measurement range min.	5 · 10 ⁻⁴ hPa	5 · 10 ⁻⁴ hPa
Sensor cable length max.	200 m	200 m
Response time	80 ms	80 ms
Protection category	IP 40	IP40
Temperature: Operating	5-60 °C	5-60 °C
Temperature: Storage	-20-+65 °C	-20-+65 °C
Supply: Voltage	14-30 V DC	14-30 V DC
Supply: Power consumption max.	≤ 1 W	1 W
Repeatability: 10 ⁻³ - 10 ² hPa	± 2 %	± 2 %

	TPR 280, 80 °C	TPR 280, 250 °C
Flange (in)	DN 16 ISO-KF	DN 16 ISO-KF
Weight	80 g	130 g
Volume	1.5 cm ³	10 cm ³
Order number	PT R26 950	PT R26 960
Flange (in)	DN 16 CF-R	DN 16 CF-R
Weight	100 g	140 g
Volume	1.5 cm ³	10 cm ³
Order number	PT R26 951	PT R26 961
Flange (in)	1/8" NPT	
Weight	70 g	
Volume	2 cm ³	
Order number	PT R26 952	
Flange (in)	8 VCR	
Weight	130 g	
Volume	2 cm ³	
Order number	PT R26 953	

Accessories		
Centering ring with poral filter, Pore size: 20 µm, FPM/stainless steel, DN 16 ISO-KF	PF 117 216 -T	PF 117 216 -T
Mating connector	B 4707 283 MA	B 4707 283 MA
Sensor cable, 3 m	PT 448 250 -T	PT 448 250 -T
Fine filter, pore size 4 µm, DN 16 ISO-KF	PT 120 132 -T	PT 120 132 -T