



# TPG 201, Pirani Handheld Vacuum Gauge

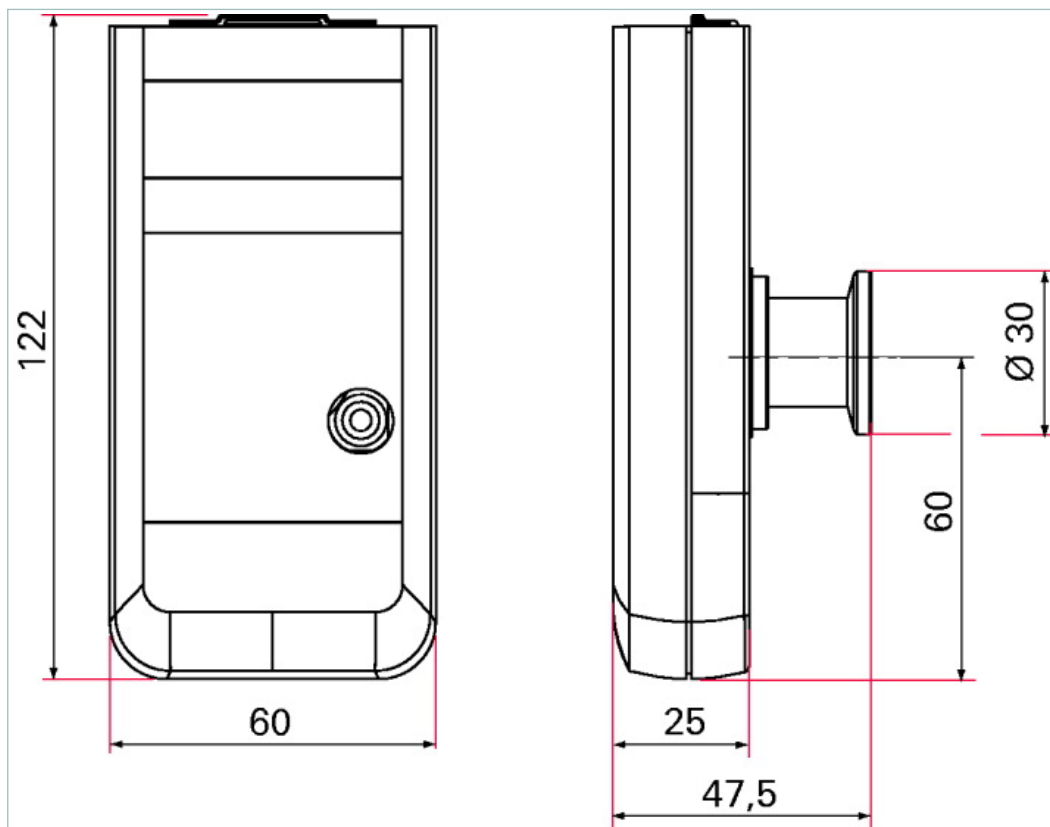


Similar Image

## TPG 201, Pirani Handheld vacuum gauge

- Battery-operated manual measurement unit
- Measurement range from  $5 \cdot 10^{-4}$  to 1000 hPa
- Data logging function
- Data readout by PC

### Dimensions



Technical Data	TPG 201, Pirani Handheld vacuum gauge
Accuracy	10-100 hPa: 30 %; $10^{-2}$ - 10 hPa: 10 %; $< 10^{-3}$ : factor 2 of reading
Battery type	9 V AIMn E bloc, 6 LR6 ; 9 V Lithium E bloc
Materials in contact with media	Nickel, stainless steel, tungsten, glass-feedthroughs
Measurement range max.	1,000 hPa   750 Torr   1,000 mbar
Measurement range min.	$5 \cdot 10^{-4}$ hPa   $3.75 \cdot 10^{-4}$ Torr   $5 \cdot 10^{-4}$ mbar
Method of measurement	Pirani
Nominal diameter	DN 16 ISO-KF
Pressure max.	4,000 hPa   3,000 Torr   4,000 mbar
Protection category	IP 40
Seal	Metal
Temperature: Operating	5-40 °C   41-104 °F   278-313 K
Weight	0.2 kg   0.43 lb

### Order number

TPG 201, Pirani Handheld Vacuum Gauge

**PT G28 201**

## **VACUUM SOLUTIONS FROM A SINGLE SOURCE**

Pfeiffer Vacuum stands for innovative and custom vacuum solutions worldwide, technological perfection, competent advice and reliable service.

## **COMPLETE RANGE OF PRODUCTS**

From a single component to complex systems:

We are the only supplier of vacuum technology that provides a complete product portfolio.

## **COMPETENCE IN THEORY AND PRACTICE**

Benefit from our know-how and our portfolio of training opportunities!

We support you with your plant layout and provide first-class on-site service worldwide.

Are you looking for a  
perfect vacuum solution?  
Please contact us:

**Pfeiffer Vacuum GmbH**  
Headquarters · Germany  
T +49 6441 802-0  
info@pfeiffer-vacuum.de

[www.pfeiffer-vacuum.com](http://www.pfeiffer-vacuum.com)

All data subject to change without prior notice.

**PFEIFFER**  **VACUUM**